

Repair Parts List

MODEL NUMBER

6157WUW

RANGE

When requesting service or ordering parts, always provide the following information:

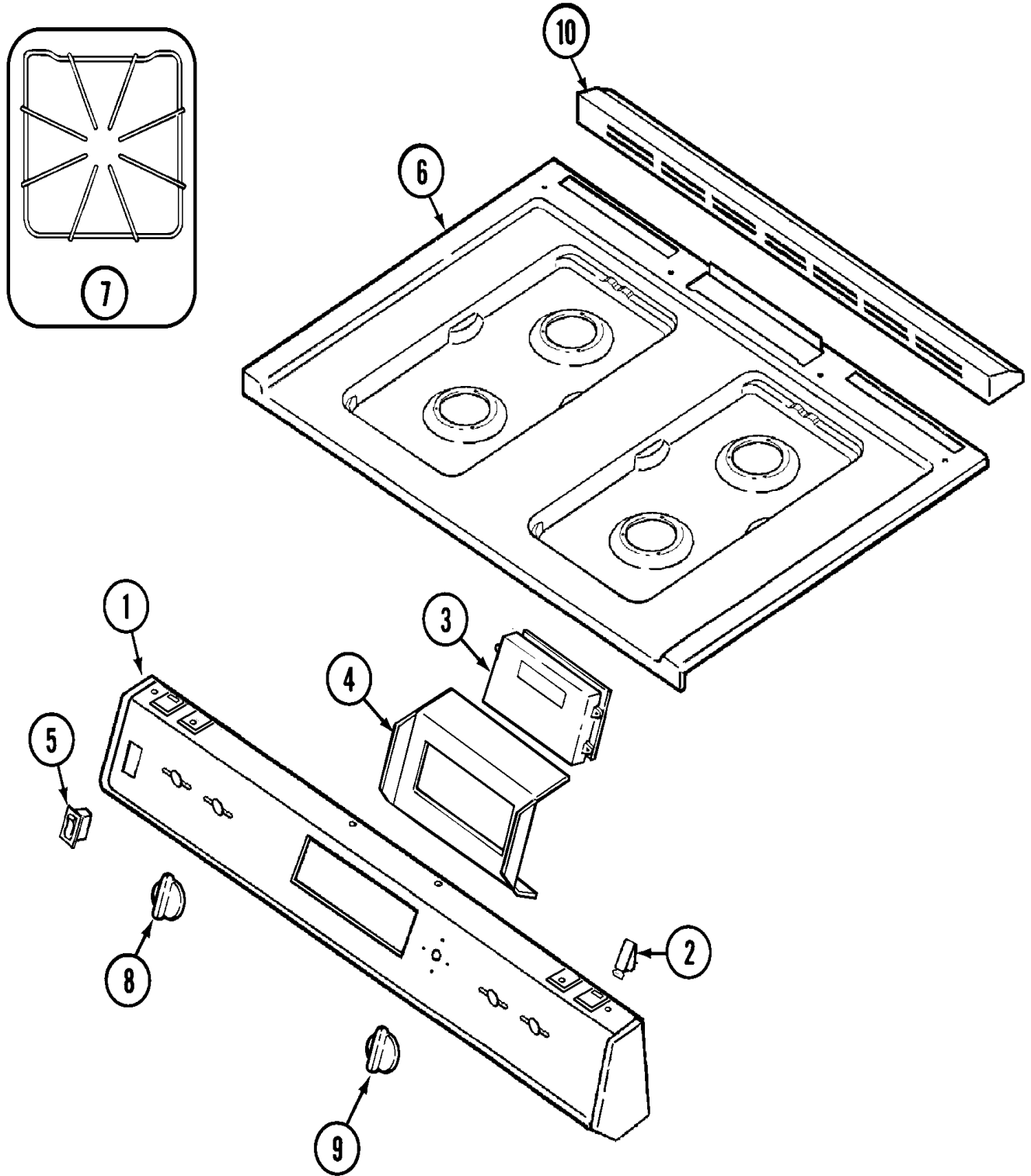
- Product Type
- Part Number
- Model Number
- Part Description

MAYTAG®

©2005 Maytag Services

Section: TOP ASSEMBLY

Model: 6157WUW



C15-279

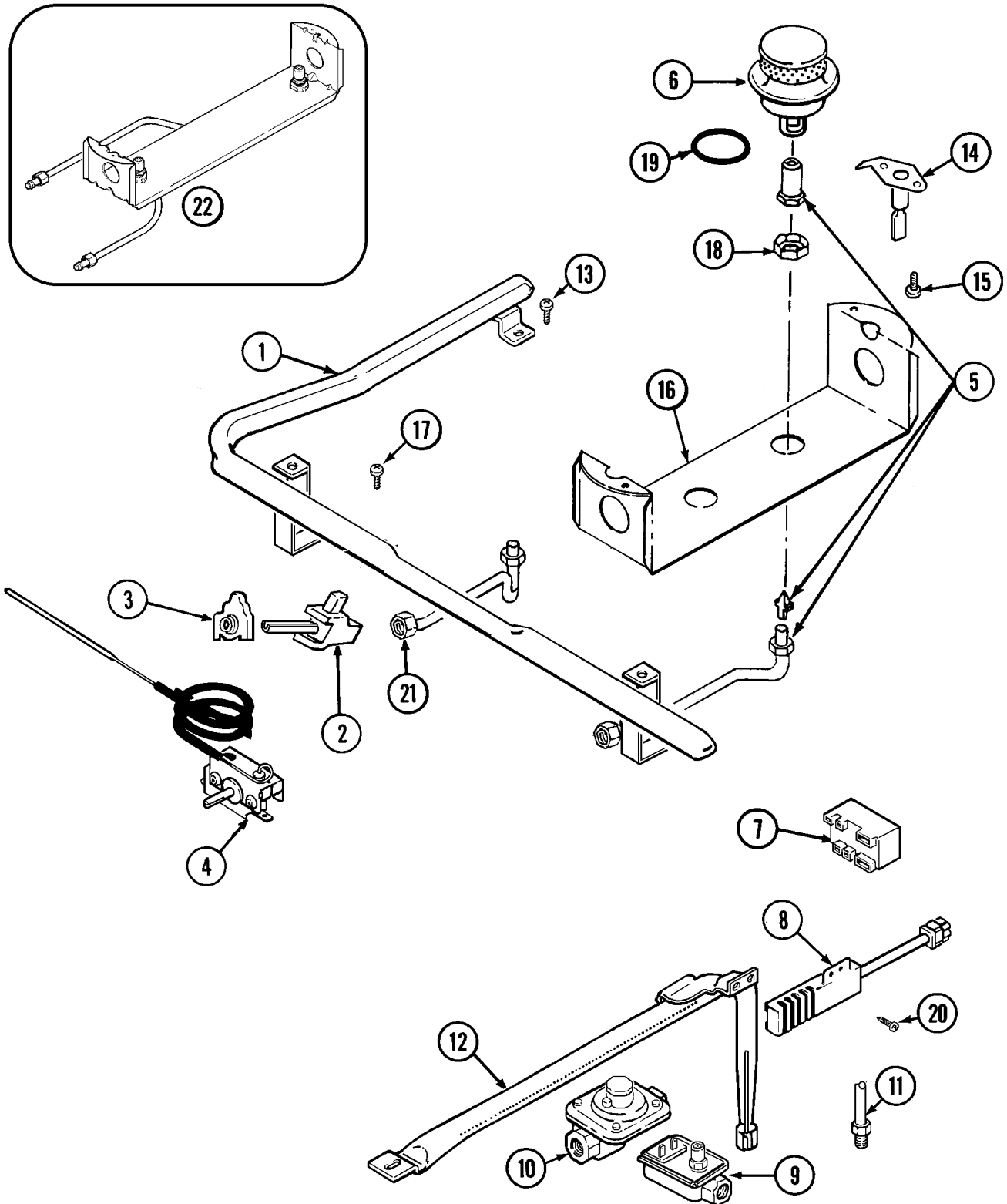
Section: TOP ASSEMBLY

No.	Part No.	Description	Series	Qty
1	N 7712P186-60	PANEL, MANIFOLD (BLK) Note: PANEL, MANIFOLD	01	1
2	7112P102-60	CLIP, SPEED Note: CLIP	01	2
3	7602P119-60	CLOCK (BLK) Note: CLOCK	01	1
-	N 7118P015-60	SCREW, HOUSING Note: SCREW	01	4
4	3801F332-45	BRACKET Note: BRACKET, CLOCK	01	2
5	7403P067-60	SWITCH, ROCKER (BLK) Note: SWITCH, ROCKER	01	1
-	N 4005F415-51	COVER, MAINFOLD (REAR) Note: COVER, MAINFOLD (REAR)	01	1
-	N 7724P051-60	COVER, VENT TRIM Note: COVER, VENT TRIM	01	1
-	N 3801F325-51	BRACKET, MAIN TOP Note: BRACKET, TOP	01	1
6	N 2001F089-81	TOP, MAIN (WHT) Note: TOP, MAIN (WHT)	01	1
-	7706P301-60	EXTRUSION, FILLER	01	1
-	3601F221-45	BAFFLE, VENT COVER Note: BAFFLE, VENT COVER	01	1
7	2003W027-00	GRATE (BLK) Note: GRATE	01	4
8	7733P065-60	KNOB, VALVE Note: KNOB, VALVE	01	4
9	7731P071-60	KNOB, THERMOSTAT (BLK) Note: KNOB, THERMOSTAT	01	1
10	N 7724P051-60	COVER, VENT TRIM	01	1
-	N 8113P012-60	MANUAL, USE & CARE Note: MANUAL, USE & CARE	01	1
-	8112P106-60	MANUAL, USE & CARE-INSERT Note: INSERT, MANUAL	01	1
-	N 16000329	GUIDE, QUICK REF. - MAGIC CHEF Note: GUIDE, QUICK REFERENCE	01	1

*Color Code (-)=Not Shown #=Series, Serial Prefix or Run No., N=Not Available

Section: GAS CONTROLS

Model: 6157WUW



C13-138

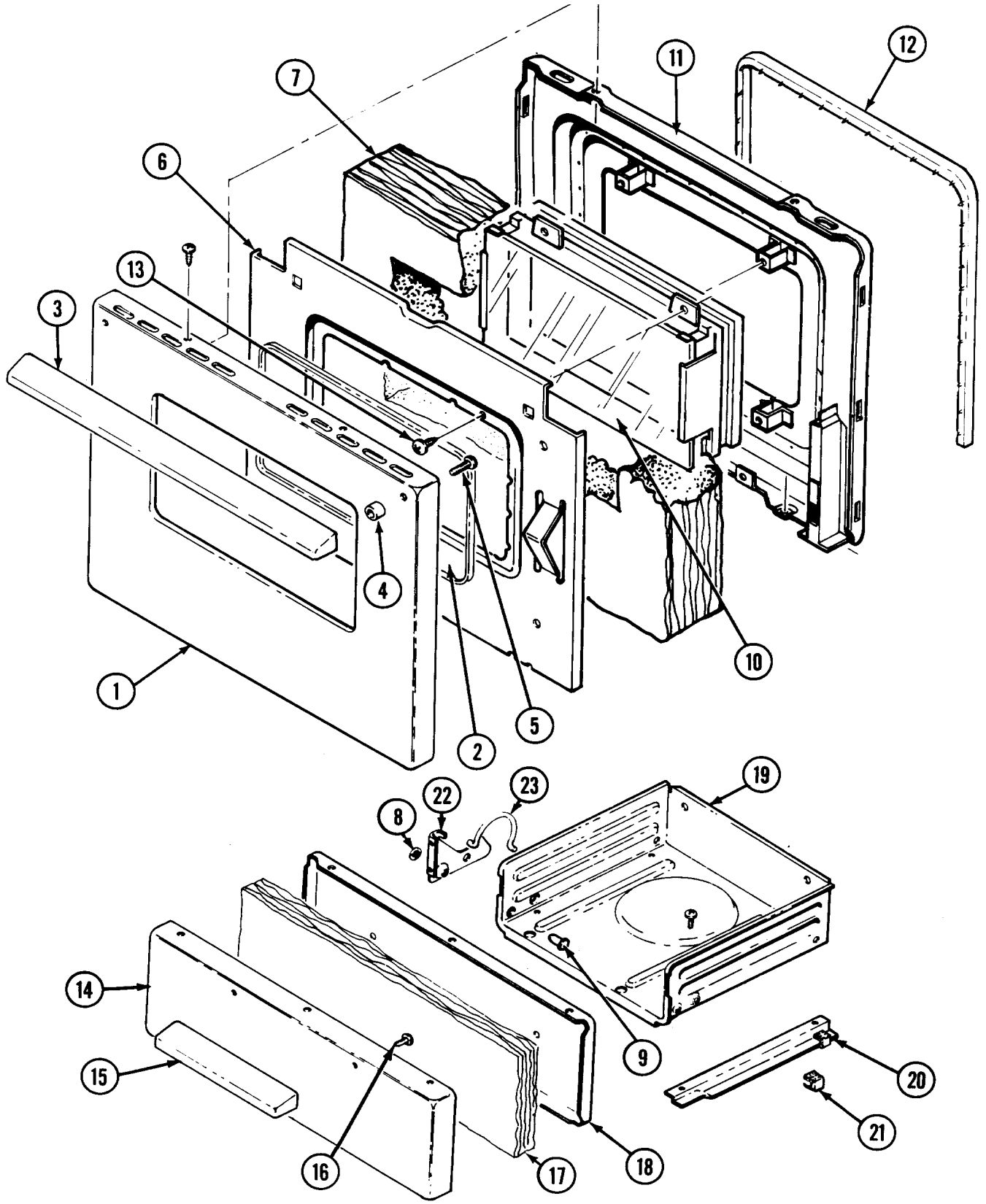
Section: GAS CONTROLS

No.	Part No.	Description	Series	Qty
1	N 7513P160-60	PIPE, MANIFOLD	01	1
2	N 7502P217-60	VALVE, TOP BURNER	01	4
3	7403P279-60	SWITCH, IGNITER	01	4
4	7404P087-60	THERMOSTAT	01	2
-	7101P280-60	SCREW W/WASHER (BLK)	01	2
-	4005F433-51	COVER, VALVE	01	1
5	7507P087-60	FITTING, ORIFICE Note: ORIFICE (REAR 9,200 BTU)	01	2
6	3412D018-09	SEALED BURNER ASSY. (BLK)	01	4
7	7431P027-60	MODULE, SPARK	12	1
-	N 3807F432-45	SUPPORT, SPARK MODULE	01	1
7	7431P023-60	MODULE, SPARK	01	1
8	7432P076-60	IGNITER, OVEN	01	1
9	7501P099-60	VALVE, OVEN Note: VALVE, OVEN W/FITTING	01	1
-	7507P123-60	PIPE, NIPPLE	01	1
-	N 8020P007-60	BRACKET, REGULATOR	01	1
10	7510P050-60	REGULATOR, PRESSURE W/FITTING	01	1
-	7103P130-60	NUT, LOXIT (3/8")	01	1
11	N 3414F104-44	TUBING - REGULATOR & PIPE	01	1
12	3403D023-45	BURNER, OVEN	01	1
13	7101P290-60	SCREW	01	1
14	W10124350	NOT REQUIRED PART OR SEE NOTE Note: IGNITER NOT SOLD SEPARATELY (MUST ORDER SEALED BURNER- ITEM #6)	01	0
15	7101P315-60	SCREW	01	8
16	3807F451-45	SUPPORT, ORIFICE FITTING	01	2
-	7101P343-60	SCREW	01	2
17	7101P296-60	SCREW	01	4
18	7103P119-60	PALNUT	01	4
19	N 7201P050-60	GASKET, BURNER	01	4
20	7101P282-60	SCREW (10-24X5/16-NI)	01	2
21	7507P087-60	FITTING, ORIFICE Note: (REAR 9,200 BTU)	01	2
21	7507P086-60	FITTING, ORIFICE Note: ORIFICE (FRONT 9,200 BTU)	01	1
21	7507P089-60	FITTING, ORIFICE Note: (FRONT 12,000 BTU)	01	1
-	5140D038-60	WIRES, IGNITER (4 OR)	01	1
-	5125A312-60	HARNESS, LOOSE/BURNER BOX	01	1
22	5187D036-60	ORIFICE FITTING ASSEMBLY Note: ORIFICE FITTING ASSY. (LT)	14	1
22	5187D037-60	ORIFICE FITTING ASSEMBLY Note: (RT)	14	1

*Color Code (-)=Not Shown #=Series, Serial Prefix or Run No., N=Not Available

Section: DOOR/DRAWER

Model: 6157WUW



C11-311

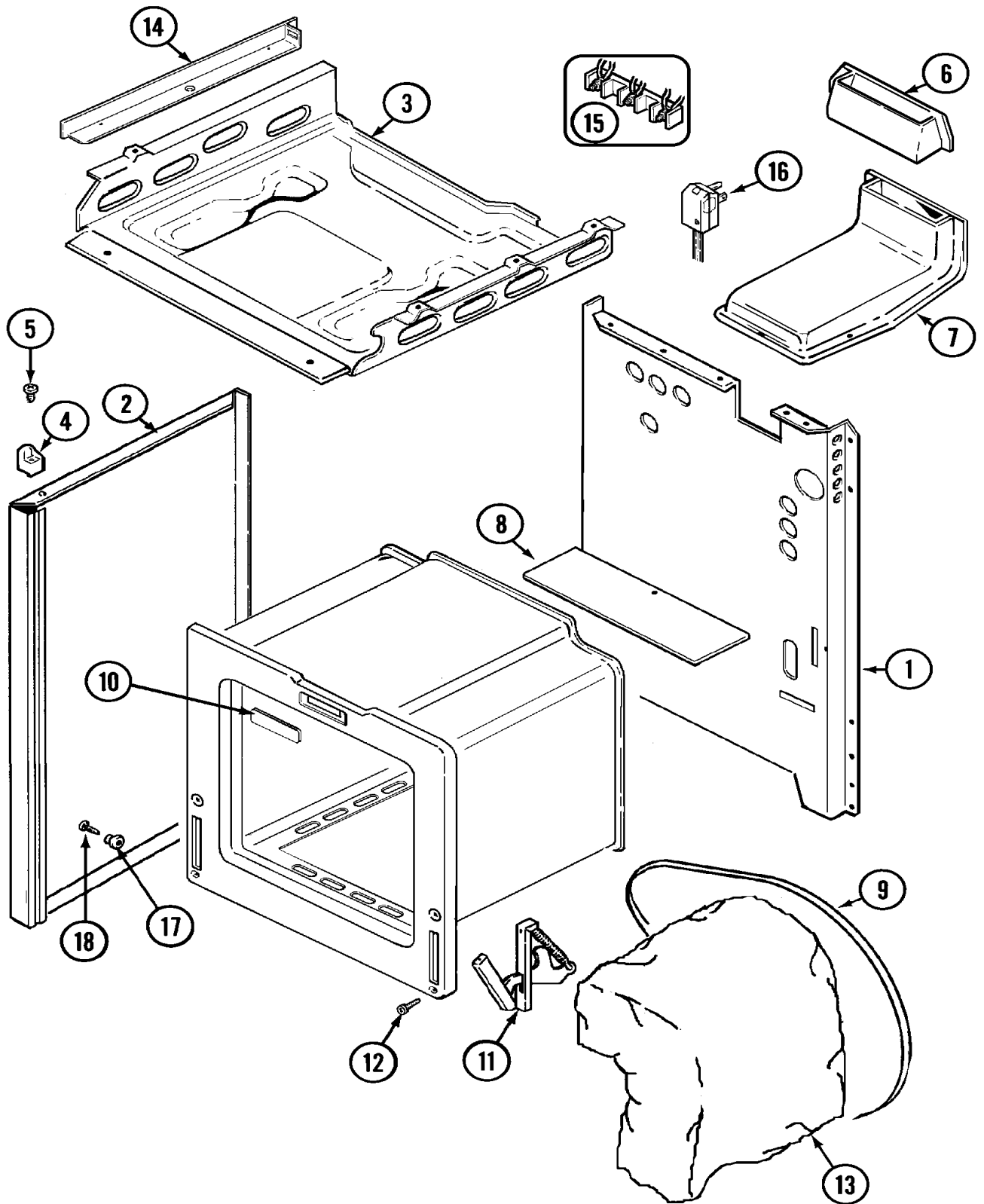
Section: DOOR/DRAWER

No.	Part No.	Description	Series	Qty
1	2401F097-71	PANEL, DOOR (WHT)	01	1
2	7201P017-60	GASKET, WINDOW Note: GASKET, WINDOW	01	1
3	7701P030-60	HANDLE, DOOR (CHR) Note: HANDLE, DOOR (CHR)	01	1
3	74001819	HANDLE, DOOR (CHR)	15	1
4	8010P084-60	SPACER, HANDLE (BLK) Note: SPACER, HANDLE (BLACK)	01	2
5	7101P080-60	SCREW, CLAMP Note: SCREW	01	4
6	N 3601F219-45	BAFFLE, DOOR Note: BAFFLE, DOOR	01	1
7	4804F011-60	INSULATION, DOOR Note: INSULATION, DOOR	01	1
8	7103P022-60	NUT, GRIP Note: NUT, SPEED	01	2
9	7113P012-60	PIN, BROILER HINGE Note: PIN DRAWER HINGE	01	2
10	7907P015-60	WINDOW ASY. Note: WINDOW ASSY	01	1
11	N 2402W212-19	LINING, DOOR Note: LINING, DOOR	01	1
12	7212P034-60	SEAL, SILICONE Note: SEAL, DOOR	01	1
13	7101P290-60	SCREW Note: SCREW	01	10
14	2403F028-71	PANEL, DRAWER (WHT) Note: PANEL, BROILER DOOR (WHT)	01	1
15	7701P012-60	HANDLE, DRAWER (CHR)	01	4
15	74001820	HANDLE (SHORT-CHR)	15	1
16	7101P283-60	SCREW, HANDLE Note: SCREW	01	1
17	4804F025-60	INSULATION Note: INSULATION, BROILER DOOR	01	1
18	N 2404F035-19	LINING, BROILER DRAWER Note: LINING, BROILER DRAWER	01	1
19	N 3407F012-19	DRAWER, BROILER Note: DRAWER, BROILER	01	1
20	3404F022-51	TRACK, DRAWER (LT)	01	1
20	N 3404F023-51	TRACK, DRAWER (RT) Note: (RT)	01	1
21	8016P012-60	GLIDE, DRAWER REAR Note: GLIDE, DRAWER REAR	01	2
21	8016P011-60	GLIDE, DRAWER Note: GLIDE DRAWER	01	4
22	3418F080-51	HINGE, DRAWER (RT) Note: (RT)	01	1
22	3418F079-51	HINGE, DRAWER (LT) Note: HINGE, DRAWER (LT)	01	1
23	7803P065-60	SPRING, HINGE (RT) Note: (RT)	01	1
23	7803P064-60	SPRING, HINGE (LT)	01	1

*Color Code (-)=Not Shown #=Series, Serial Prefix or Run No., N=Not Available

Section: BODY

Model: 6157WUW



C14-396

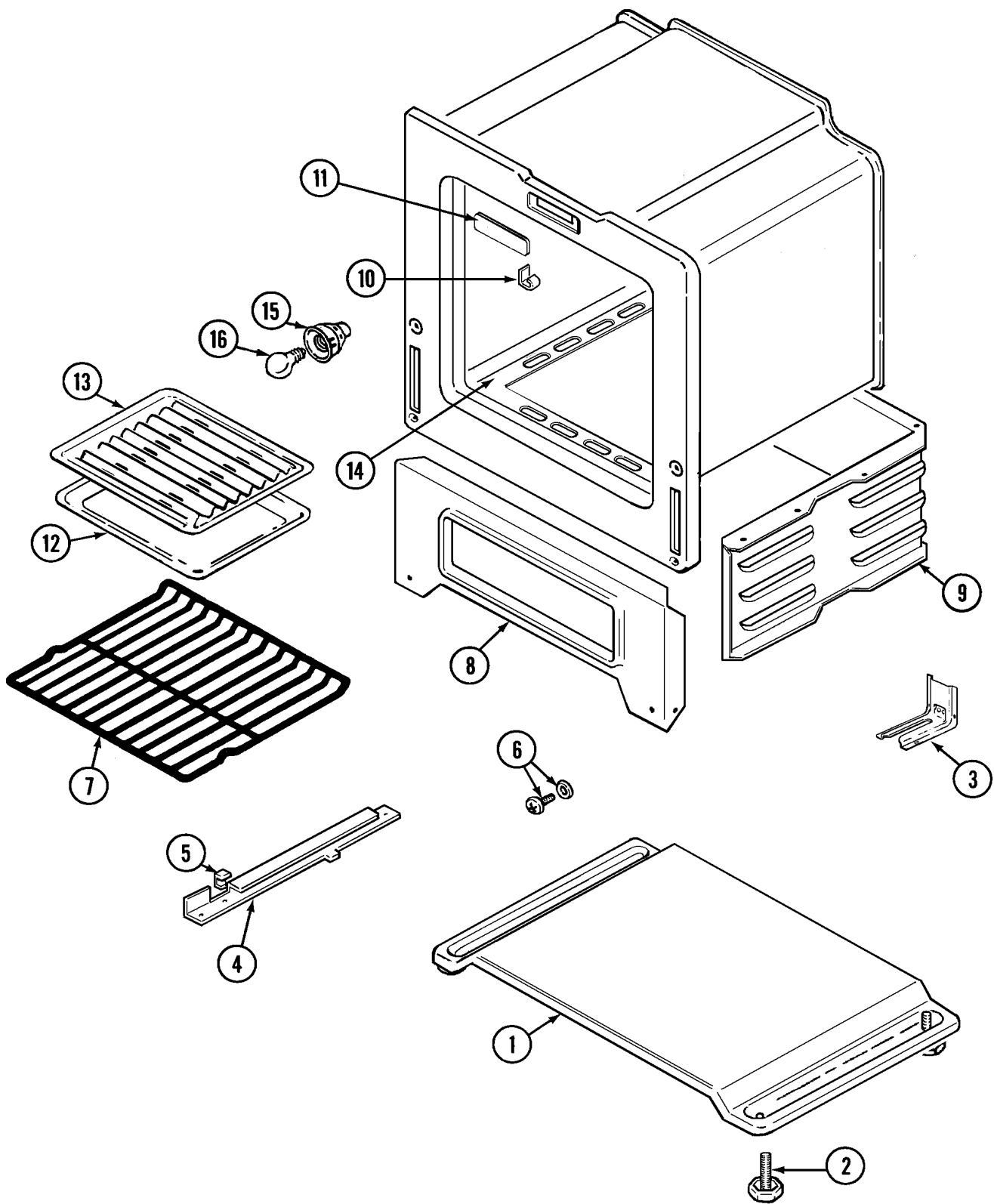
Section: BODY

No.	Part No.	Description	Series	Qty
1	4002F188-80	BACK, MAIN	01	8
2	N 2618F096-71	PANEL, SIDE (RT-WHT)	01	1
2	N 2618F095-71	PANEL, SIDE (LT-WHT)	01	1
3	4011F224-80	BOX, BURNER	01	1
4	8010P088-60	SPACER, MAIN TOP (RT) Note: (RT)	01	1
4	8010P087-60	SPACER, MAIN TOP (LT)	01	1
5	7118P013-60	SCREW Note: SCREW, SPACER	01	2
6	N 4022W004-45	EXTENSION, VENT BOX	01	1
7	4006W113-45	BOX, VENT	01	1
-	7101P124-60	SCREW W/WASHER Note: SCREW, VENT BOX	01	4
8	N 3807F416-45	SUPPORT, OVEN BACK	01	1
9	N 4820F001-59	STRAP, RETAINER	01	1
10	8114P335-60	COVER, LOCK SLOT	01	1
11	7106P055-60	HINGE	01	2
12	7101P017-60	SCREW, HINGE	01	4
13	4804F032-60	INSULATION, OVEN WRAPPER	01	1
-	4804F031-60	INSULATION, OVEN BACK	01	1
14	N 3604F173-51	SHIELD, HEAT (LT)	01	1
14	3604F174-51	SHIELD, HEAT (RT) Note: (RT)	01	1
15	7401P037-60	BLOCK, TERMINAL	01	1
16	7402P043-60	CORD, POWER	01	1

*Color Code (-)=Not Shown #=Series, Serial Prefix or Run No., N=Not Available

Section: OVEN/BASE

Model: 6157WUW



C12-178

Section: OVEN/BASE

No.	Part No.	Description	Series	Qty
1	4003W028-80	BASE, MAIN	01	1
2	7101P316-60	LEG, LEVELING	01	4
3	3801F218-51	BRACKET, ANTI-TIP	01	1
4	3404F021-51	TRACK, DRAWER (LT) Note: (LT)	01	1
4	3404F018-51	TRACK, DRAWER (RT)	01	1
5	8016P010-60	GLIDE, BROILER TRACK	01	2
6	8004P024-60	SPACER, SIDE PANEL	01	2
-	7101P334-60	SCREW Note: SCREW, SPACER	01	2
7	7801P040-60	RACK	01	2
8	2201F077-19	FRONT, BROILER	01	1
9	N 4016F039-45	SIDES, BROILER	01	1
-	7101P290-60	SCREW Note: SCREW, BROILER	01	15
10	7112P004-60	CLIP, THERMOSTAT	01	2
11	8114P335-60	COVER, LOCK SLOT	01	1
12	Y3401F02019	PAN, BROIL	01	1
13	Y3413F01619	INSERT, BROIL PAN	01	1
-	7101P290-60	SCREW	01	1
-	3804F010-50	RETAINER	01	1
14	5504A001-19	BOTTOM, OVEN	01	1
-	3601F234-45	BAFFLE, OVEN BOTTOM	01	1
15	7407P088-60	RECEPTACLE, BULB Note: RECEPTACLE/HOUSING, BULB	01	1
16	7407P095-60	BULB, OVEN	01	1

*Color Code (-)=Not Shown #=Series, Serial Prefix or Run No., N=Not Available

